



BulkLite®

Model • RWT TRI 350 BLA

The RWT **BulkLite** Aluminium is a next generation end tipper and is a leader in it's class, with a solid reputation for quality, long lasting construction and reliability. All components are computer profile cut for neatness and accuracy. This model can be manufactured to any size or specification to suit your needs.

STANDARD FEATURES

- Overall length 10.3m.
- BulkLite capacity is an impressive 51 cubic metres.
- Robust body made from extruded aluminium panels.
- Wide tipping pivots for extra stability.
- External hoist provides clean bin interior.
- On board load cells ensure accurate pay load recording.
- Geared grain door offers controlled output.
- Flush grain door with floor for complete load removal.
- Sealed tailgate with replaceable seal.
- Domex fully welded chassis.
- Internal 45 degree corner panels to prevent load stick.
- Designed for single trailer or road train operation.

Roadwest RWT BulkLite - Standard Equipment



- High visibility water proof tarp - can be closed for tipping.



- Large full width pivot for increased stability, minimal wear and longer operational life. Design also allows easy removal of body.



- Load cell weigh scales provide the most accurate load recording data.



- 40 tonne Edbro Hoist external trunnion mounted hoist, chromed top stage with bushed foot mountings. Ladder is optional.



- Tensioned rubber guards shed load spill.



- Geared grain door for safely controlled load output.



- Heavy duty claws on tail gate with air locking

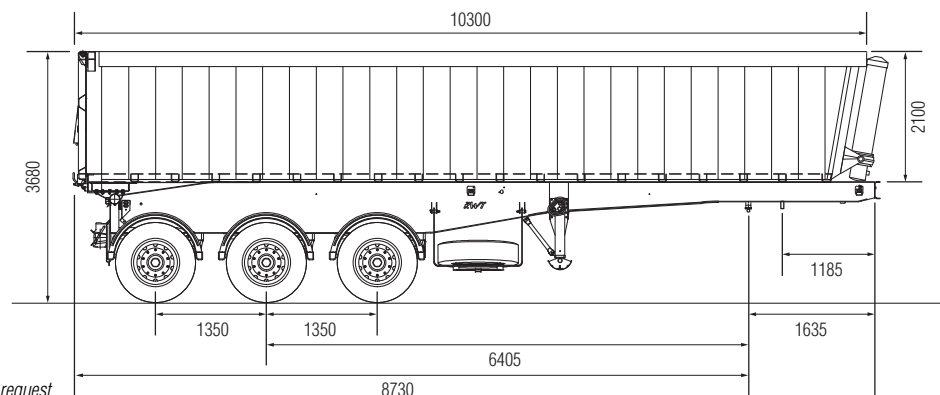


- Flush floor grain door ensures maximum load removal.



- 45 degree floor to wall connection prevents

RWT Tri Axle



- Other variations available upon request.

Roadwest RWT reserves the right to change or alter the specifications on any of their trailers or products without notice.



web · www.roadwest.com.au
email · roadwest@roadwest.com.au